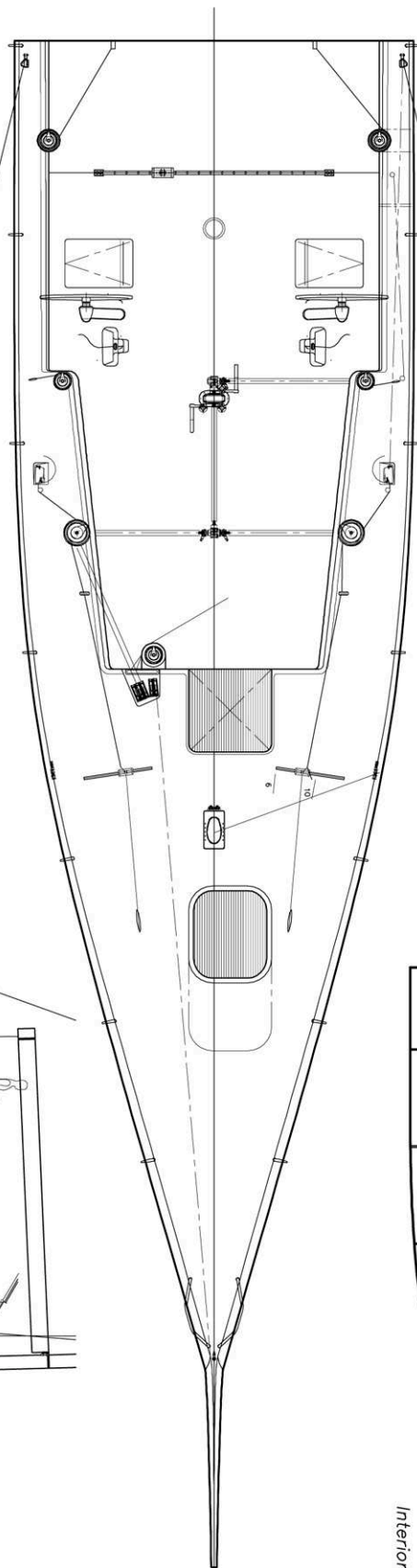
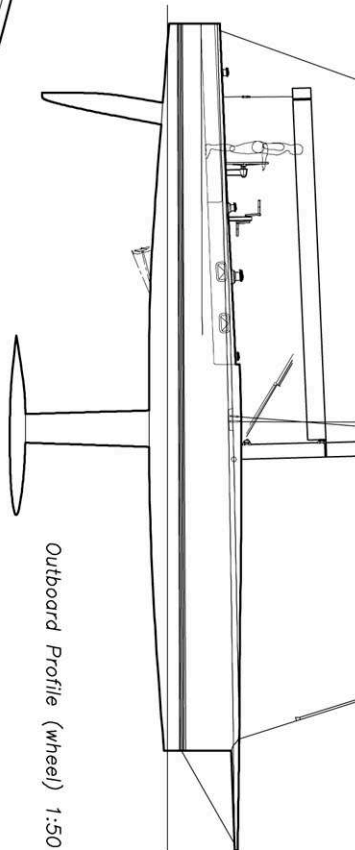


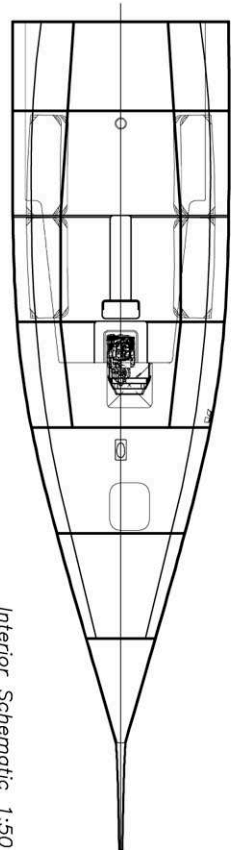
Tiller



Wheel



Outboard Profile (wheel) 1:50



Interior Schematic 1:50

COMPONENTS
THIS DRAWING MUST NOT BE REPRODUCED, DISTRIBUTED, OR USED FOR ANY PURPOSE OTHER THAN THE DESIGN AND CONSTRUCTION OF THE BOAT OR DESIGN FOR WHICH IT WAS DRAWN, WITHOUT THE WRITTEN CONSENT OF MILLS DESIGN LTD.
THE SCALE OF THESE PLANS INCLUDES FITS FOR ONE BOLT ONLY FOR EACH FITTING UNLESS OTHERWISE SPECIFIED. THE SCALE OF THE STERN OR BOW OF THE BOAT IS TO THE CENTERLINE AND THE MASTHEAD APPROXIMATELY.



MILLS DESIGN

45' IRC Racer
for:

Deck Plan

md.059: VSA45-104 DP

Scale \odot A1 = 1:25

© Mills Design 14/07/11

Mills Design Ltd.
Clendale
Kilbride
Wicklow
Ireland

t: +353 404 48500
f: +353 404 48501
m: +353 87 2242804
info@mills-design.com
www.mills-design.com